

S SERIES
Reliable forklift



1-3.5 ton
ENGINE POWERED
FORKLIFT

STANDARD EQUIPMENT

- | | |
|---------------------------------|------------------------------|
| Hour meter | Overhead guard |
| Horn | Standard forks |
| Oil pressure alarm | Neutral switch |
| Three-spool control valve | Hydraulic circuit oil filter |
| Power steering | Radiator tank |
| Rubber pedal pad | Speed-limiting valve |
| Backrest | Oil meter |
| Back view mirror | Battery-charge indicator |
| Front combined lights | Wide-view mast |
| Transmission oil filter | Intake device |
| Engine flameout device | Durable tire |
| Parking brake cable | Operating handles |
| Water temperature meter | Traction pin |
| Attached tools | Standard seat |
| Rear combined lights | Hydraulic oil gauge |
| Reversing buzzer | Overhead guard raincoat |
| Self-locking tilt valve | Torque converter oil gauge |
| Tilt adjustable steering column | Combined display |
| Power brake(2-3.5t) | Central control box |

OPTIONS

- | | |
|--|-----------------------------------|
| Cab | Tilt cylinder sleeve |
| Rotating warning light | Steering cylinder sleeve |
| Vertical exhaust | User-specified color |
| Double air filter | Optional attachments |
| Suspension seat | Dual tires and protective devices |
| Extended fork sleeve | LPG with the flip seat |
| Heater | LPG single and dual-fuel system |
| Solid tire | Side shifter |
| Widening fork carriage | Steel protective fences |
| Windglass | |
| Purifying muffler | |
| Fire muffler | |
| Fire extinguisher | |
| Rear lights | |
| Air conditioning (some models) | |
| Electro-hydraulic switch | |
| OPS driving control | |
| Torque converter oil temperature meter | |



ANHUI HELI CO., LTD.
NO.688 Fangxing Street, Economical Development Zone,
Hefei, P.R.China
TEL: (86 551) 63639068, 63639258, 63639358, 63662105
FAX: (86 551) 63639966
WEBSITE: <http://www.helichina.net>

* Details of specifications and equipment are based on information available at the time of printing and may change without notice.

AUTHORIZED DEALER

© 2013 heli copyright

Catalog No.2013.12 HELI Print

1-3.5 ton
ENGINE POWERED
FORKLIFT



S SERIES Reliable forklift

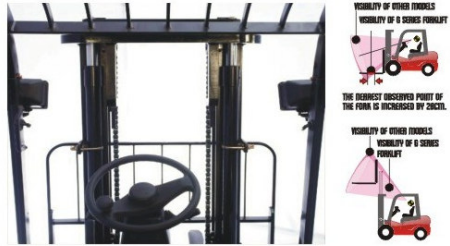
ENGINE POWERED
FORKLIFT

1-3.5 ton

GSERIES

Reliable forklift

A reliable mast



The impact and vibration of mast are reduced significantly by using buffer device. Through finite element analysis plus optimizing the structural parameters, the vibration acceleration is reduced by 40%.

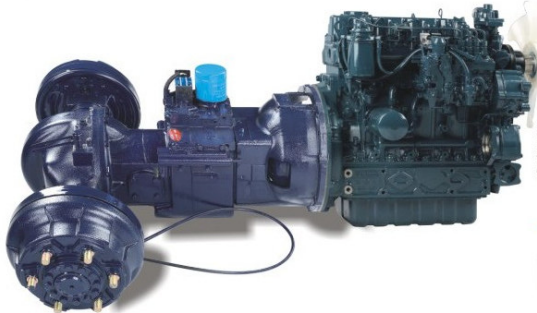
More scientific and environmental design



Equipped with high-quality engine, the emission meets the latest European EC and the EPA environmental regulation. The use of Non-asbestos insulation equipment is very effective to lower down the noise.

The innovative design and optimized configuration of the lifting system improve the operators' visibility greatly, and provide a clear and accessible focus of vision to ensure the safety & efficiency of operating.

More powerful



G series forklifts greatly enhance various aspects of key performances particularly in power performance through reducing the losses of engine torque nearly twice as before.

↑ 8.2%
THE MAXIMUM LIFTING
SPEED IS INCREASED

↑ 3%
THE GRADERABILITY IS
INCREASED

↓ 2%
THE FUEL CONSUMPTION
IS REDUCED

↑ 9%
THE MAXIMUM DRAW-
BAR PULL IS INCREASED



More comfortable ergonomic design



Through optimum design of the hood and tilt cylinder, the space for driver's leg is twice wider than other models, the bigger footplate make the operators to get on and off with ease. Such capacious space ensures the operating more comfortable.



The sedan-type display and double-handle combined F/R direction switch to ensure more convenient and smooth operation.

Labor-saving mini-type steering wheel. Suspension seat with armrests, seat belts. Safe and comfortable.

Excellent safety performance



Profilled steel for overhead guard

As the first forklift producer to use profilled steel for overhead guard in China, our G series forklift is available with embedded cabin doors to ensure more safety and seal performance.

Greatly enhanced frame strength

G Series forklifts have much stronger frame structure, while its structural strength meets the ANSI/ITSDF B56.1 (American National Regulation) requirements.





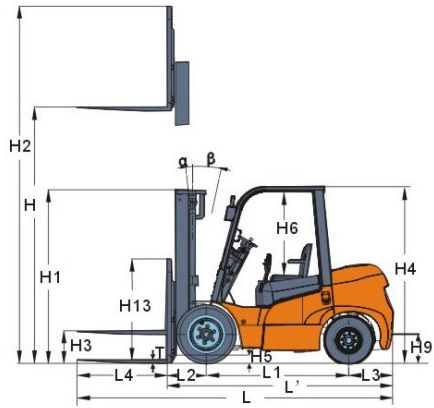
内燃平衡重式叉车
BALANCE WEIGHT TYPE FORKLIFT

1-3.5 吨

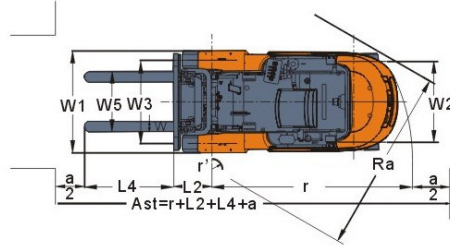


制造商和技术参数 Manufacturers Data and Design Characteristics

特性		HELI																													
1	制造商																														
2	型号	CPCD10	CPCD15	CPCD18	CPCD20	CPCD25	CPCD30	CPCD35	CPQ(Y)D10	CPQ(Y)D15	CPQ(Y)D18	CPQ(Y)D20	CPQ(Y)D25	CPQ(Y)D30	CPQ(Y)D35																
3	动力种类	柴油							汽油																						
4	额定起重量	kg	1000	1500	1750	2000	2500	3000	3500	1000	1500	1750	2000	2500	3000	3500															
5	载荷中心距	mm	500																												
6	驾驶方式	座驾式																													
尺寸																															
7	货叉最大高度 (带挡货架)	H2	mm	4039	4039	4039	4039		4217	4217	4039	4039		4039		4217	4217														
8	最大起升高度	H	mm	3000			3000			3000			3000			3000															
9	门架全高 (货叉落地, 门架垂直)	H1	mm	1995	1995	1995	2000	2000	2070	2180	1995	1995	1995	2000	2000	2070	2180														
10	自由起升高度	H3	mm	152	155	155	145		145	145	152	155	155	145		145	145														
11	挡货架高(门架货叉面算起)	H13	mm	1017	1014	1014	1004		1182	1177	1017	1014	1014	1004		1182	1177														
12	座椅面至护顶架距离	H6	mm	1030	1030	1030	1035			1030	1030	1030	1035																		
13	全高 (护顶架)	H4	mm	2140	2140	2140	2140	2140	2170	2170	2140	2140	2140	2140	2140	2170	2170														
14	全长 (带货叉)	L	mm	2936	3150	3193	3430	3650	3770	3840	2936	3150	3193	3430	3650	3770	3840														
15	全长 (不带货叉)	L'	mm	2166	2230	2273	2510	2580	2700	2770	2166	2230	2273	2510	2580	2700	2770														
16	前悬距	L2	mm	410	413	413	475	475	480	485	410	413	413	475	475	480	485														
17	后悬距	L3	mm	355	415	455	440	510	525	585	355	415	455	440	510	525	585														
18	轴距	L1	mm	1410	1410	1410	1600	1600	1700	1700	1410	1410	1410	1600	1600	1700	1700														
19	牵引销高度	H9	mm	250	250	250	245	245	250	250	250	250	245	245	250	250															
20	最小离地间隙(门架处)	H5	mm	110	110	110	110	110	135	135	110	110	110	110	135	135															
21	全宽	W1	mm	1075	1075	1090	1150	1150	1225	1285	1075	1075	1090	1150	1150	1225	1285														
22	货叉调节范围 (外侧) 最大/最小	W5	mm	950/200		1024/200		1024/200		1060/250		1060/250		950/200		1024/200		1024/200		1060/250		1060/250									
23	前轮距	W3	mm	900	900	930	970	970	1000	1060	900	900	930	970	970	1000	1060														
24	后轮距	W2	mm	930	930	930	970	970	970	970	930	930	930	970	970	970	970														
25	最小转弯半径 (外侧)	r	mm	1870	1950	1980	2170	2240	2400	2420	1870	1950	1980	2170	2240	2400	2420														
26	最小转弯半径 (内侧)	r'	mm	110	110	95	160	160	200	200	110	110	95	160	160	200	200														
27	最小直角通道宽度	Ra	mm	1945	2025	2055	2200	2280	2380	2400	1945	2025	2055	2200	2280	2380	2400														
28	门架倾角	a / β		5° /10°			6° /12°			5° /10°			6° /12°																		
29	货叉尺寸	L4xWxT	mm	770×100×32		920×100×35		920×100×35		920×122×40		1070×122×45		1070×125×45		1070×125×50		770×100×32		920×100×35		920×100×35		920×122×40		1070×122×45		1070×125×45		1070×125×50	
性能																															
30	最大行驶速度	km/h	17/18			17/19			18/19	19/19	17/18			17/19		18/19	19/19														
31	起升速度 (满载/空载)	mm/s	590/650			550/600			500/550	450/480	590/650			550/600		500/550	450/480														
32	下降速度 (满载/空载)	mm/s	450																												
33	最大牵引力 (满载/空载)	kN	17.8/6.9			17/8.33	17/8.88	16/9.8	16.5/9.8	14.2/6.9			16.4/8.3		14.5/9.8	16.5/9.8															
34	最大爬坡能力 (满载/空载)	%	42/25	40/19	36/18	28/20	25/18	23/20	22/20	37/22	27/18	24/17	26/20	24/18	23/20	20/18															
重量																															
35	总重 (含油水)	kg	2300	2760	2970	3480	3800	4400	5000	2300	2760	2970	3480	3800	4400	5000															
36	轮负荷满载前/后	kg	2900/400	3705/555	4060/660	4878/602	5607/693	6500/900	7600/900	2900/400	3705/555	4060/660	4878/602	5607/693	6500/900	7600/900															
37	轮负荷空载前/后	kg	1040/1260	1187/1573	1145/1825	1392/2088	1520/2280	1760/2640	2000/3000	1040/1260	1187/1573	1145/1825	1392/2088	1520/2280	1760/2640	2000/3000															
车轮和轮胎																															
38	车轮数量 X=驱动轮 (前/后)		2X/2			2X/2			2X/2			2X/2																			
39	轮胎类型 (前/后)		充气胎			充气胎			充气胎			充气胎																			
40	轮胎尺寸(前)		6.50-10-10PR			7.00-12-12PR		28×9-15-12PR	28×9-15-14PR	6.50-10-10PR			7.00-12-12PR		28×9-15-12PR	28×9-15-14PR															
41	轮胎尺寸(后)		5.00-8-8PR			6.00-9-10PR		6.50-10-10PR	6.50-10-10PR	5.00-8-8PR			6.00-9-10PR		6.50-10-10PR	6.50-10-10PR															
42	制动器行车制动器		液压-踏板式																												
43	停车制动器		机械-手动式																												
驱动、传动控制装置																															
44	蓄电池电压/容量	V/Ah	12/80			12/80			12/60			12/60																			
45	发动机制造商/型号		久保田 V2403			久保田 V2403			久保田 V3600	日产 K15			日产 K21		日产 K25																
46	额定功率	kW/ps	35.4/2400			35.4/2400		36.5/2600	46.9/2400	23.6/2400			31.2/2250		37.6/2400																
47	额定扭矩	Nm/ps	161.3/1600			161.3/1600		164/1500	210/1600	103/1600			143.7/1600		176.5/1600																
48	气缸数		4-87×102.4			4-87×102.4		4-98×120	4-98×120	4-75.5×83			4-89×83		4-89×100																
49	发动机排量	L	2.434			2.434		3.62	3.62	1.468			2.065		2.488																
50	发动机燃油箱容量	L	46			66		70	70	46			66		70																
51	变速型式		动力换挡																												
52	变速箱前/后变速挡数		1/1			1/1			1/1			1/1																			

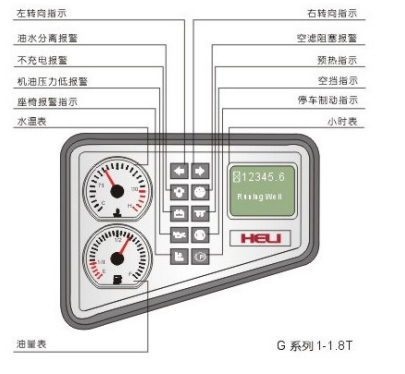
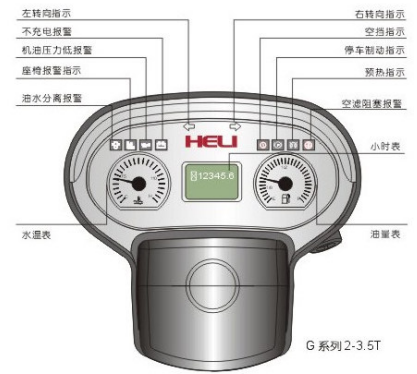


Ast: 直角堆垛通道宽度
α: 间隙Clearance
L4: 货叉长度



CPQD10/CPD10 CPQD15/CPD15 CPQD18/CPD18
CPQD35/CPD35 CPQD30/CPD30 CPQD25/CPD25 CPQD20/CPD20

注：
竖轴表示承载量，横轴表示载荷中心。载荷中心是从货叉正面计算起，标准载荷的基点是指负荷边长为1000毫米的立方体中心位置。当门架前倾、使用非标准货叉或装载超过正常宽度的负荷时，将会使承载量减少。通过负荷曲线图，能及时地了解各种载荷中心时的承载能力。



可选配的叉车发动机型号及其主要技术参数 Engine Model and Main Specification for Option

发动机型号 Internal Combustion Engine Model	额定功率/转速 (kW/rpm) Internal Combustion Engine Rate power	额定扭矩 (Nm/rpm) Internal Combustion Engine Rate torque	发动机排量(L) Internal Combustion Engine Displacement	发动机缸数 Internal Combustion Engine Number of Cylinder
五十铃4JG2	44.9/2450	184.7/1600-1800	3.05	4
五十铃C240	35.4/2500	139.9/1800	2.369	4
江铃493	39/2500	165/1800	2.771	4

宽视野基本型门架 WIDE VIEW MAST

门架型号	最大起升高度 (mm)	承载能力(载荷中心为500mm)(kg)											门架全高(货叉落地)(mm)			门架倾角	自重(带挡货架)(kg)								
		CPD010	CPD15	CPD18	CPD20	CPD25	CPD30	CPD35	CPD35	1-1.8t	2-2.5t	3t	3.5t	1-1.8t	2-2.5t		3t	CPD010	CPD15	CPD18	CPD20	CPD25	CPD30	CPD35	
M200	2000	1000	1500	1750	2000	2500	3000	3500	3500	1465	1500	1570	1680	5-10	6-12	2240	2700	2910	3400	3720	4320	4620			
M250	2500	1000	1500	1750	2000	2500	3000	3500	3500	1746	1750	1820	1930	5-10	6-12	2265	2725	2925	3440	3760	4360	4660			
M300	3000	1000	1500	1750	2000	2500	3000	3500	3500	1995	2000	2070	2180	5-10	6-12	2300	2760	2970	3480	3800	4400	5000			
M350	3500	1000	1500	1750	2000	2500	3000	3500	3500	2246	2250	2320	2430	5-10	6-12	2315	2775	2985	3500	3820	4425	5020			
M370	3700	1000	1500	1750	2000	2500	3000	3500	3500	2346	2350	2420	2530	5-10	6-12	2350	2810	3020	3540	3860	4460	5060			
M400	4000	1000	1500	1700	2000	2500	3000	3500	3500	2546	2550	2620	2730	5-10	6-12	2390	2850	3060	3580	3900	4500	5100			
M425	4250	950	1400	1600	1800	2250	2850	3100	3500	2670	2675	2745	2855	5-8	6-8	2405	2865	3075	3580	3900	4500	5100			
M450	4500	950	1400	1700	1900	2350	2950	3200	3500	2795	2800	2870	2980	5-8	6-8	2420	2880	3090	3600	3920	4520	5120			
M500	5000	930	1300	1500	1800	2150	2750	3000	3500	3045	3050	3120	3230	5-8	6-8	2455	2915	3125	3640	3960	4560	5160			
M550	5500	950	1350	1600	1900	2200	2800	3050	3500	3345	3350	3420	3530	5-8	6-8	2480	3040	3250	3760	4080	4680	5280			
M600	6000	950	1400	1700	2000	2400	3000	3250	3500	3595	3600	3670	3780	3-6	3-6	2650	3110	3320	3720	4040	4640	5240			

注(1):表示前轮为双胎的额定载重量;
(2):2-3.5T前轮为双胎时,自重为表格数据;+110kg.

二级全自由门架 WIDE VIEW FULL FREE 2-STAGE MAST

门架型号	最大起升高度 (mm)	承载能力(载荷中心为500mm)(kg)											门架全高(货叉落地)(mm)			自由起升(带挡货架)(mm)			门架倾角	自重(带挡货架)(kg)								
		CPD010	CPD15	CPD18	CPD20	CPD25	CPD30	CPD35	CPD35	1-1.8t	2-2.5t	3t	3.5t	1-1.8t	2-2.5t	3t	3.5t	1-1.8t		2-2.5t	3t	CPD010	CPD15	CPD18	CPD20	CPD25	CPD30	CPD35
ZM200	2000	1000	1500	1750	2000	2500	3000	3500	3500	1465	1500	1570	1680	470	490	380	500	5-10	6-12	2255	2725	2945	3440	3760	4370	4670		
ZM250	2500	1000	1500	1750	2000	2500	3000	3500	3500	1746	1750	1820	1930	720	740	630	750	5-10	6-12	2315	2785	3005	3480	3800	4410	5010		
ZM300	3000	1000	1500	1750	2000	2500	3000	3500	3500	1995	2000	2070	2180	960	980	860	1000	5-10	6-12	2350	2820	3040	3520	3840	4450	5050		
ZM350	3500	1000	1500	1750	2000	2500	3000	3500	3500	2246	2250	2320	2430	1200	1240	1100	1250	5-10	6-12	2370	2840	3060	3560	3870	4480	5070		
ZM370	3700	1000	1500	1750	2000	2500	3000	3500	3500	2346	2350	2420	2530	1320	1340	1200	1350	5-10	6-12	2385	2855	3075	3570	3890	4490	5090		
ZM400	4000	1000	1500	1700	2000	2500	3000	3500	3500	2546	2550	2620	2730	1520	1540	1400	1550	5-10	6-12	2400	2870	3090	3590	3900	4500	5100		
ZM425	4250	950	1400	1600	1800	2250	2850	3100	3500	2670	2675	2745	2855	1645	1665	1555	1675	5-8	6-8	2470	2940	3150	3640	3960	4560	5160		
ZM450	4500	950	1400	1700	1900	2350	2950	3200	3500	2795	2800	2870	2980	1770	1790	1675	1800	5-8	6-8	2485	2955	3175	3660	3980	4580	5180		
ZM500	5000	930	1300	1500	1800	2150	2750	3000	3500	3045	3050	3120	3230	2020	2040	1900	2050	5-8	6-8	2520	2990	3210	3710	4030	4620	5220		
ZM550	5500	950	1350	1600	1900	2200	2800	3050	3500	3345	3350	3420	3530	2220	2240	2100	2250	3-6	3-6	2655	3165	3385	3780	4070	4680	5280		
ZM600	6000	950	1400	1700	2000	2400	3000	3250	3500	3595	3600	3670	3780	2570	2590	2460	2600	3-6	3-6	2730	3200	3420	3740	4110	4710	5310		

注(1):表示前轮为双胎的额定载重量;
(2)-3.5T前轮为双胎时,自重为表格数据;+110kg.
(3)1-1.8T自由起升高度(不带挡货架);+383mm.
2-2.5T自由起升高度(不带挡货架);+397mm.
3T自由起升高度(不带挡货架);+490mm.
3.5T自由起升高度(不带挡货架);+412mm.

三级全自由门架 WIDE VIEW FULL FREE 3-STAGE MAST

门架型号	最大起升高度 (mm)	承载能力(载荷中心为500mm)(kg)											门架全高(货叉落地)(mm)			自由起升(带挡货架)(mm)			门架倾角	自重(带挡货架)(kg)								
		CPD010	CPD15	CPD18	CPD20	CPD25	CPD30	CPD35	CPD35	1-1.8t	2-2.5t	3t	3.5t	1-1.8t	2-2.5t	3t	3.5t	1-1.8t		2-2.5t	3t	CPD010	CPD15	CPD18	CPD20	CPD25	CPD30	CPD35
ZM360	3600	1000	1400	1600	1800	2200	2800	3000	3500	1790	1795	1830	1900	770	785	740	845	5-6	6-6	2395	2865	3085	3540	3860	4460	5060		
ZM400	4000	1000	1400	1600	1800	2200	2800	3000	3500	1915	1920	2055	2065	890	910	865	970	5-6	6-6	2420	2890	3110	3600	3920	4520	5120		
ZM450	4500	900	1300	1500	1800	2150	2750	3000	3500	2040	2045	2180	2190	1020	1035	990	1095	5-6	6-6	2445	2915	3135	3620	4010	4610	5210		
ZM460	4600	900	1300	1500	1750	2150	2700	2900	3500	2090	2095	2230	2230	1070	1085	1040	1145	5-6	6-6	2475	2920	3145	3700	4020	4620	5220		
ZM470	4700	900	1300	1450	1720	2000	2600	2800	3500	2160	2160	2230	2230	1140	1150	1100	1200	5-6	6-6	2485	2930	3155	3700	4020	4620	5230		
ZM480	4800	900	1300	1500	1800	2150	2700	2900	3500	2190	2195	2330	2330	1170	1185	1140	1245	5-6	6-6	2495	2945	3160	3720	4040	4640	5240		
ZM500	5000	900	1300	1550	1850	2200	2800	3000	3500	2220	2225	2400	2400	1270	1285	1240	1345	5-6	6-6	2520	2950	3165	3740	4060	4660	5260		
ZM540	5400	900	1400	1600	1900	2300	2900	3100	3500	2415	2420	2555	2555	1390	1410	1365	1470	3-6	3-6	2520	2985	3205	3770	4090	4690	5290		
ZM600	6000	950	1400	1700	2000	2400	3000	3250	3500	2640	2645	2780	2780	1620	1635	1590	1695	3-6	3-6	2600	3045	3265	3800	4120	4730	5330		

注(1):表示前轮为双胎的额定载重量;
(2)-3.5T前轮为双胎时,自重为表格数据;+110kg.
(3)1-1.8T自由起升高度(不带挡货架);+505mm.
2-2.5T自由起升高度(不带挡货架);+450mm.
3-3.5T自由起升高度(不带挡货架);+522mm.