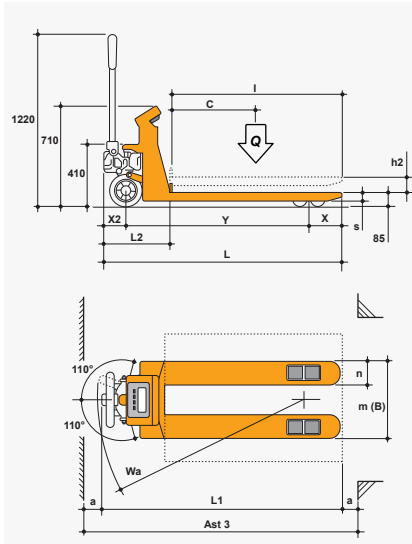


Hand pallet truck

Hand pallet truck with integrated weighing system.

Pos.		120 T/B
Q	t	2.0
c	mm	600
l	mm	1.150
L	mm	1.550
x	mm	220
x2	mm	150
Y	mm	1.180
L2	mm	400
L1	mm	1.550
m	mm	570
n	mm	168
B	mm	570
s	mm	55
h2	mm	115
a	mm	100
Wa	mm	1.350
Ast3	mm	1.835

accuracy ± 1 kg with load 2.0 t



OMG S.p.A.
 via dell'Artigianato, 12
 46023 - GONZAGA (MN) Italy
 Tel. + 39 0376 52.60.11
 Fax. + 39 0376 58.80.08
www.omgindustry.com
info@omgindustry.com



• 120 T/B